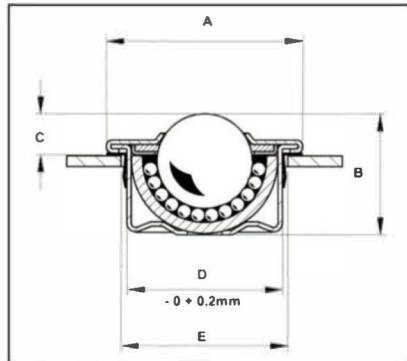




“Experts in Specialist
Wheels & Tyres”

PRODUCT INFORMATION

BTA 22 BAL TRANSFER UNITS



SPECIFICATION

Ball Dia mm	Dim 'A' mm	Dim 'B' mm	Dim 'C' mm	Dim 'D' mm	Dim 'E' mm
ø22.2	ø45.25mm	27.5mm	8.2mm	ø35.80mm	ø37min

Dimension 'E' is seating hole dimension when using 'Spring Clip, Part Code BTA 22 SC (to be ordered separately).

MATERIALS

Part Code	Load Ball	Minor Balls	Housing	Maximum Load kg
BTA 22	Chrome Steel Grade 100 60-64HRC	Chrome Steel Grade 100 60-64HRC	Carbon Steel Bright Zinc Plated	160

BTA 22 units assembled with internal felt seal

Telephone: (353) 1 452 0482
Fax: (353) 1 451 0778
Email: info@parnell.eu

www.parnells.eu

A&L Castors Ltd T/A Parnells registered in Ireland No.253764

Unit A1 - A2
Southcity Business Centre
Whitestown Way
Tallaght
Dublin 24
D24 HT95
Ireland