



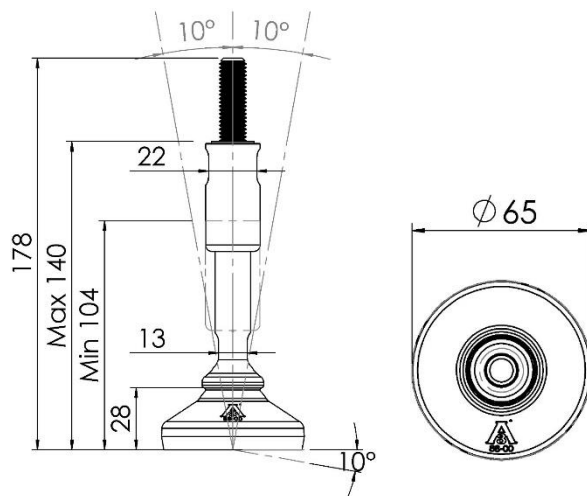
*"Experts in Specialist
Wheels & Tyres"*

PRODUCT INFORMATION

Certified hygienic stainless steel levelling feet

Material: Stainless steel thread and base cover (AISI 304/A2), vulcanised rubber base
72° Shore A hardness.

Part number:	XHS65-12-150
Thread size:	M12
Total height:	178mm
Thread length:	150mm
Base height:	28mm
Base diameter:	65mm
Max recommended load:	800kg
Anti-slip:	Yes



Telephone: (353) 1 452 0482
Email: info@parnell.eu

www.parnells.eu

Unit A1 - A4
Southcity Business Centre
Whitestown Way
Tallaght
Dublin D24 HT95
Ireland