



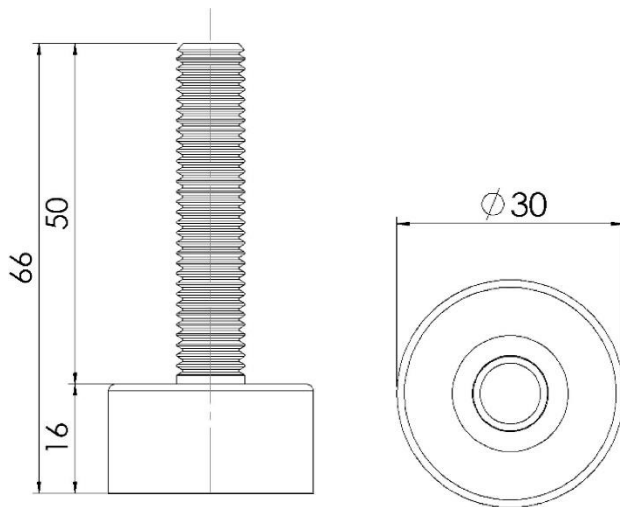
*"Experts in Specialist
Wheels & Tyres"*

PRODUCT INFORMATION

Stainless steel thread rubber base

Material: Stainless steel thread (AISI 304/A2) embedded into black FDA-approved vulcanised rubber base 75° Shore A hardness.

Part number:	B30-10-50
Thread size:	M10
Total height:	66 mm
Thread length:	50mm
Base height:	16mm
Base diameter:	30 mm
Max recommended load:	25kg
Anti-slip:	Yes



Telephone: (353) 1 452 0482
Email: info@parnells.eu

www.parnells.eu

Unit A1 - A4
Southcity Business Centre
Whitestown Way
Tallaght
Dublin D24 HT95
Ireland