



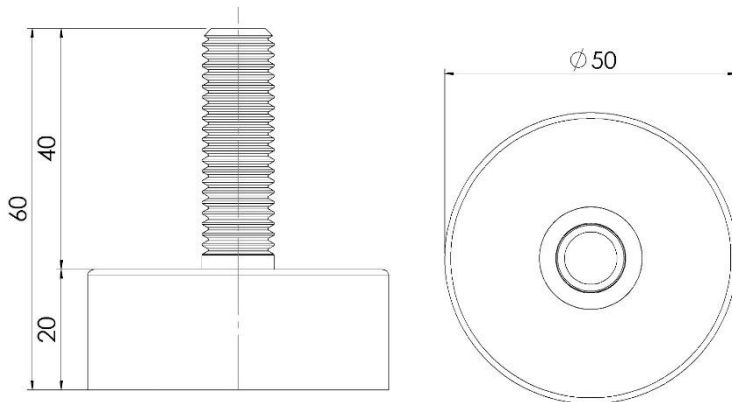
*"Experts in Specialist  
Wheels & Tyres"*

## PRODUCT INFORMATION

# Stainless steel thread rubber base

**Material:** Stainless steel thread (AISI 304/A2) embedded into black FDA-approved vulcanised rubber base 75° Shore A hardness.

<b>Part number:</b>	B50-12-40
<b>Thread size:</b>	M12
<b>Total height:</b>	60 mm
<b>Thread length:</b>	40mm
<b>Base height:</b>	20mm
<b>Base diameter:</b>	50 mm
<b>Max recommended load:</b>	90kg
<b>Anti-slip:</b>	Yes



Telephone: (353) 1 452 0482  
Email: [info@parnells.eu](mailto:info@parnells.eu)

[www.parnells.eu](http://www.parnells.eu)

Unit A1 - A4  
Southcity Business Centre  
Whitestown Way  
Tallaght  
Dublin D24 HT95  
Ireland