



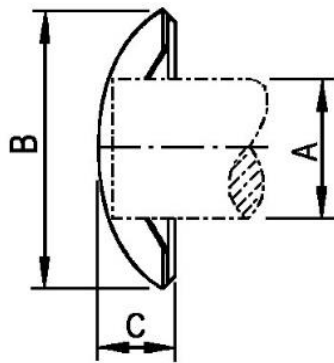
*"Experts in Specialist  
Wheels & Tyres"*

## PRODUCT INFORMATION

# Starlock push-on fasteners

**Material:** Stainless steel cap (1.4016). Spring steel (1.1231), varnished.

<b>Part number:</b>	1510
<b>For shaft diameter (A):</b>	20mm
<b>Outside diameter (B):</b>	38mm
<b>Height (C):</b>	11.7mm



Telephone: (353) 1 452 0482  
Email: [info@parnell.eu](mailto:info@parnell.eu)

[www.parnells.eu](http://www.parnells.eu)

Unit A1 - A4  
Southcity Business Centre  
Whitestown Way  
Tallaght  
Dublin D24 HT95  
Ireland