



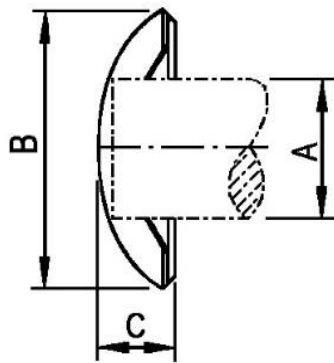
*"Experts in Specialist
Wheels & Tyres"*

PRODUCT INFORMATION

Starlock push-on fasteners

Material: Stainless steel cap (1.4016). Spring steel (1.1231), varnished.

Part number:	1509
For shaft diameter (A):	25mm
Outside diameter (B):	43mm
Height (C):	12.5mm



Telephone: (353) 1 452 0482
Email: info@parnell.com

www.parnells.eu

Unit A1 - A4
Southcity Business Centre
Whitestown Way
Tallaght
Dublin D24 HT95
Ireland