



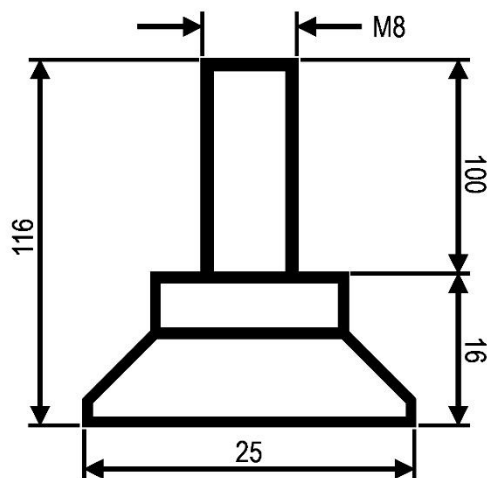
*"Experts in Specialist  
Wheels & Tyres"*

## PRODUCT INFORMATION

# Rigid Levelling Foot

**Material:** Zinc plated thread on polypropylene base.

<b>Part number:</b>	5242
<b>Thread size:</b>	M8x1.25
<b>Total height:</b>	116mm
<b>Thread length:</b>	100mm
<b>Base height:</b>	16mm
<b>Base diameter:</b>	25mm
<b>Max recommended load:</b>	100kg



Telephone: (353) 1 452 0482  
Email: [info@parnell.eu](mailto:info@parnell.eu)

[www.parnells.eu](http://www.parnells.eu)

Unit A1 - A4  
Southcity Business Centre  
Whitestown Way  
Tallaght  
Dublin D24 HT95  
Ireland