



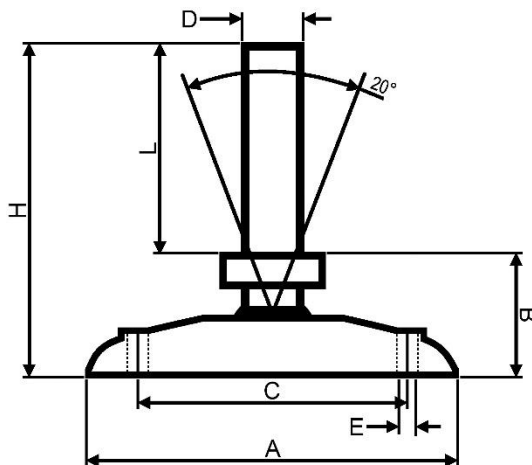
*"Experts in Specialist
Wheels & Tyres"*

PRODUCT INFORMATION

Tilting Levelling Foot With Holes

Material: Zinc plated thread on glass reinforced nylon base.

| | |
|------------------------------|------------|
| Part number: | R81-10-125 |
| Thread size (D): | M10x1.5 |
| Thread length (L): | 125mm |
| Total height (H): | 154mm |
| Base diameter (A): | 80mm |
| Base height (B): | 29mm |
| Hole position (C): | 54mm |
| Hole diameter (E): | 9mm |
| Max recommended load: | 470kg |



Telephone: (353) 1 452 0482
Email: info@parnell.s.eu

www.parnells.eu

Unit A1 - A4
Southcity Business Centre
Whitestown Way
Tallaght
Dublin D24 HT95
Ireland