



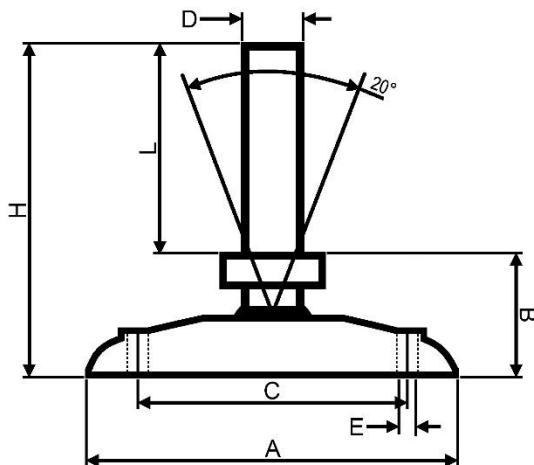
*"Experts in Specialist  
Wheels & Tyres"*

## PRODUCT INFORMATION

# Tilting Levelling Foot With Holes

**Material:** Zinc plated thread on glass reinforced nylon base.

|                              |             |
|------------------------------|-------------|
| <b>Part number:</b>          | R101-10-125 |
| <b>Thread size (D):</b>      | M10x1.5     |
| <b>Thread length (L):</b>    | 125mm       |
| <b>Total height (H):</b>     | 154mm       |
| <b>Base diameter (A):</b>    | 100mm       |
| <b>Base height (B):</b>      | 29mm        |
| <b>Hole position (C):</b>    | 74mm        |
| <b>Hole diameter (E):</b>    | 9mm         |
| <b>Max recommended load:</b> | 470kg       |



Telephone: (353) 1 452 0482  
Email: [info@parnell.s.eu](mailto:info@parnell.s.eu)

[www.parnells.eu](http://www.parnells.eu)

Unit A1 - A4  
Southcity Business Centre  
Whitestown Way  
Tallaght  
Dublin D24 HT95  
Ireland