



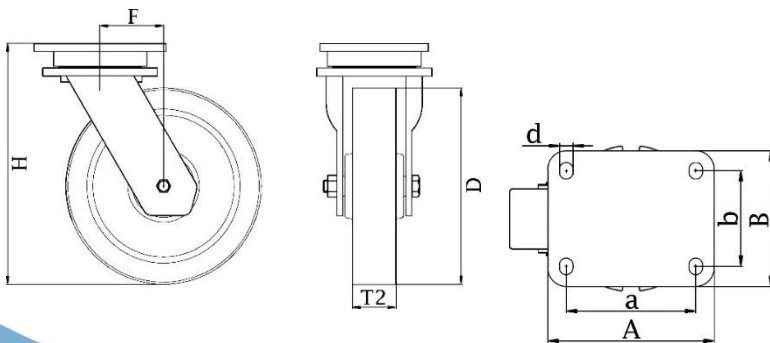
*"Experts in Specialist
Wheels & Tyres"*

PRODUCT INFORMATION

1500 Series Top Plate Castor

Material: Zinc plated swivel bracket with top plate fitting. Wheel with black solid elastic rubber tyre on welded steel centre.

| | |
|-----------------------------------|---------------|
| Part number: | 230011 |
| Wheel diameter (D) | 160mm |
| Tread width (T2): | 50mm |
| Tread hardness: | 65° Shore A |
| Wheel bearing: | Ball bearings |
| Top plate size (AxB): | 135x110mm |
| Fixing hole spacing (axb): | 105x75-80mm |
| Fixing hole size (d): | 11mm |
| Offset (F): | 60mm |
| Overall height (H): | 205mm |
| Load capacity 3km/h: | 450kg |
| Rolling resistance: | Very good |
| Operating noise: | Very good |
| Floor preservation: | Very good |



Telephone: (353) 1 452 0482
Email: info@parnell.eu

www.parnells.eu

Unit A1 - A2
Southcity Business Centre
Whitestown Way
Tallaght
Dublin D24 HT95
Ireland