



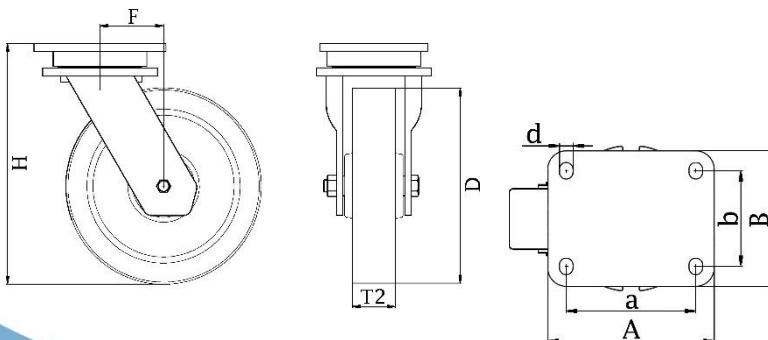
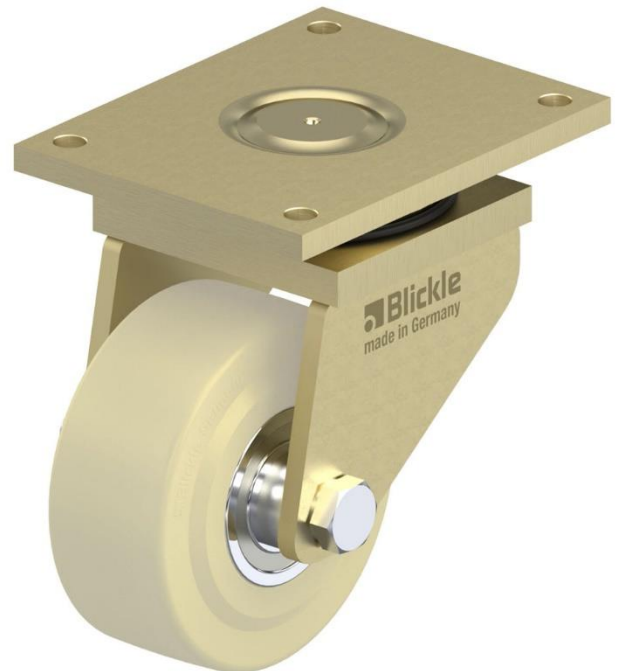
"Experts in Specialist
Wheels & Tyres"

PRODUCT INFORMATION

LS Series Top Plate Castor

Material: Zinc plated, yellow-passivated, swivel bracket with top plate fitting. Natural beige cast nylon wheel.

Part number:	283895
Wheel diameter (D):	200mm
Tread width (T2):	80mm
Tread hardness:	80° Shore D
Wheel bearing:	Ball bearings
Top plate size (AxB):	255x200mm
Fixing hole spacing (axb):	210x160mm
Fixing hole size (d):	18mm
Offset (F):	75mm
Overall height (H):	280mm
Load capacity 3km/h:	4500kg
Rolling resistance:	Excellent
Operating noise:	Reasonable
Floor preservation:	Reasonable



Telephone: (353) 1 452 0482
Email: info@parnell.eu

www.parnells.eu

Unit A1 - A2
Southcity Business Centre
Whitestown Way
Tallaght
Dublin D24 HT95
Ireland