



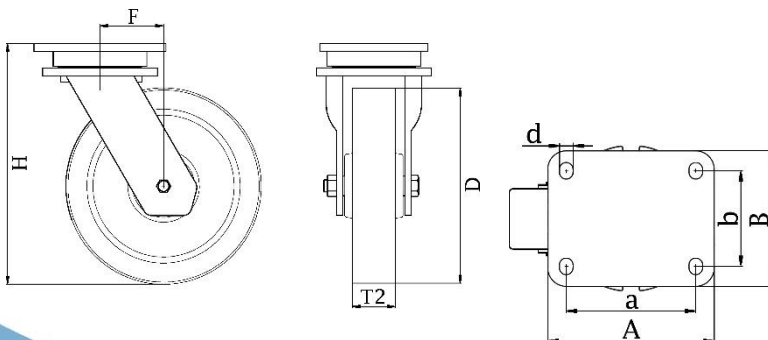
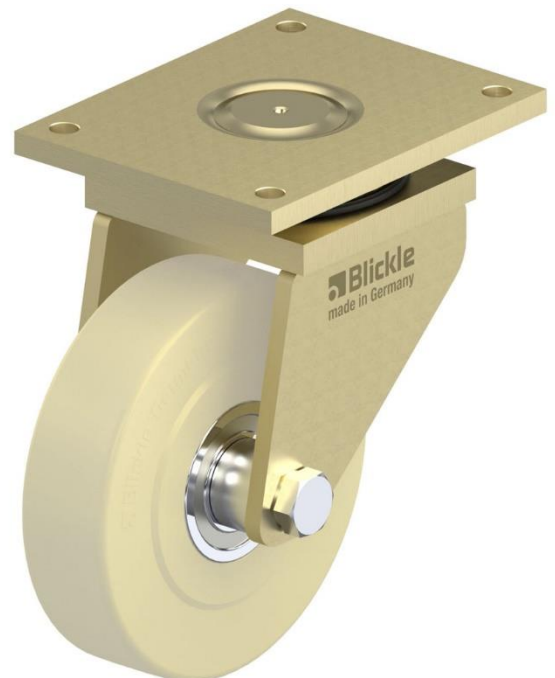
*"Experts in Specialist  
Wheels & Tyres"*

## PRODUCT INFORMATION

# LS Series Top Plate Castor

**Material:** Zinc plated, yellow-passivated, swivel bracket with top plate fitting. Natural beige cast nylon wheel.

|                                   |               |
|-----------------------------------|---------------|
| <b>Part number:</b>               | 486600        |
| <b>Wheel diameter (D):</b>        | 250mm         |
| <b>Tread width (T2):</b>          | 65mm          |
| <b>Tread hardness:</b>            | 80° Shore D   |
| <b>Wheel bearing:</b>             | Ball bearings |
| <b>Top plate size (AxB):</b>      | 255x200mm     |
| <b>Fixing hole spacing (axb):</b> | 210x160mm     |
| <b>Fixing hole size (d):</b>      | 18mm          |
| <b>Offset (F):</b>                | 80mm          |
| <b>Overall height (H):</b>        | 330mm         |
| <b>Load capacity 3km/h:</b>       | 5000kg        |
| <b>Rolling resistance:</b>        | Excellent     |
| <b>Operating noise:</b>           | Reasonable    |
| <b>Floor preservation:</b>        | Reasonable    |



Telephone: (353) 1 452 0482  
Email: [info@parnell.eu](mailto:info@parnell.eu)

[www.parnells.eu](http://www.parnells.eu)

Unit A1 - A2  
Southcity Business Centre  
Whitestown Way  
Tallaght  
Dublin D24 HT95  
Ireland