



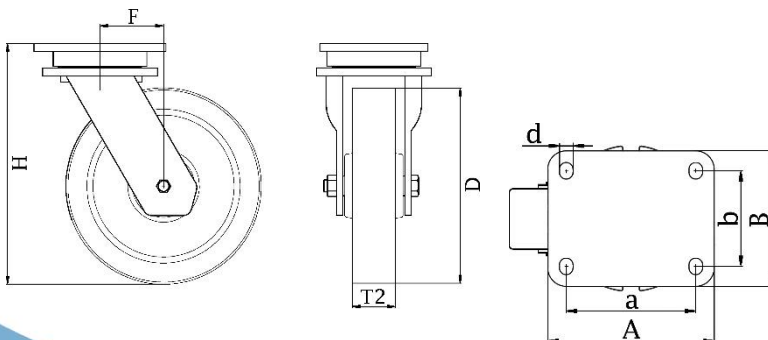
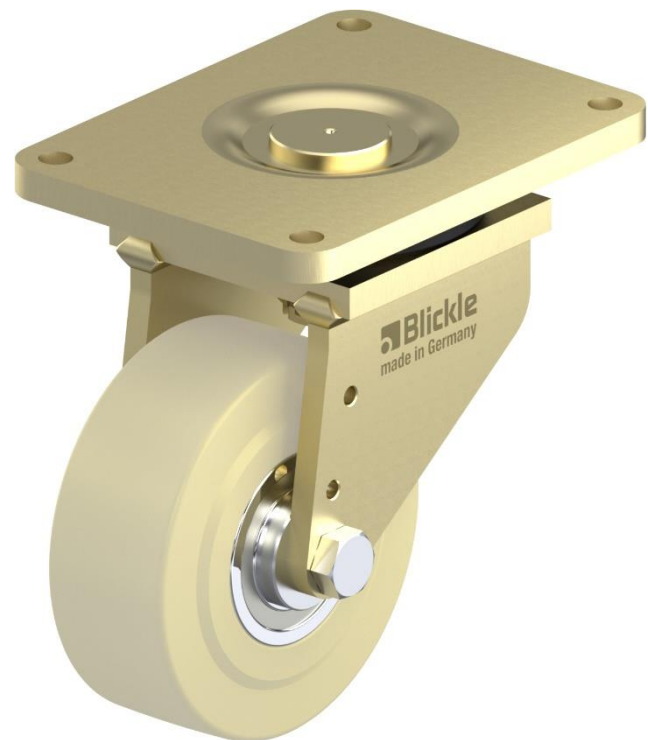
"Experts in Specialist  
Wheels & Tyres"

## PRODUCT INFORMATION

# LS Series Top Plate Castor

**Material:** Zinc plated, yellow-passivated, swivel bracket with top plate fitting. Natural beige cast nylon wheel.

<b>Part number:</b>	306324
<b>Wheel diameter (D):</b>	300mm
<b>Tread width (T2):</b>	110mm
<b>Tread hardness:</b>	80° Shore D
<b>Wheel bearing:</b>	Ball bearings
<b>Top plate size (AxB):</b>	400x300mm
<b>Fixing hole spacing (axb):</b>	340x240mm
<b>Fixing hole size (d):</b>	26mm
<b>Offset (F):</b>	110mm
<b>Overall height (H):</b>	430mm
<b>Load capacity 3km/h:</b>	10000kg
<b>Rolling resistance:</b>	Excellent
<b>Operating noise:</b>	Reasonable
<b>Floor preservation:</b>	Reasonable



Telephone: (353) 1 452 0482  
Email: info@parnell.eu

[www.parnells.eu](http://www.parnells.eu)

Unit A1 - A2  
Southcity Business Centre  
Whitestown Way  
Tallaght  
Dublin D24 HT95  
Ireland