



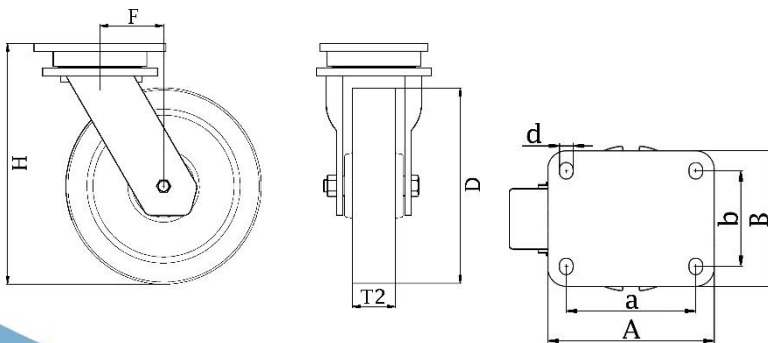
*"Experts in Specialist
Wheels & Tyres"*

PRODUCT INFORMATION

LS Series Top Plate Castor

Material: Zinc plated, yellow-passivated, swivel bracket with top plate fitting. Natural beige cast nylon wheel.

Part number:	301648
Wheel diameter (D):	400mm
Tread width (T2):	110mm
Tread hardness:	80° Shore D
Wheel bearing:	Ball bearings
Top plate size (AxB):	400x300mm
Fixing hole spacing (axb):	340x240mm
Fixing hole size (d):	26mm
Offset (F):	125mm
Overall height (H):	530mm
Load capacity 3km/h:	12000kg
Rolling resistance:	Excellent
Operating noise:	Reasonable
Floor preservation:	Reasonable



Telephone: (353) 1 452 0482
Email: info@parnell.eu

www.parnells.eu

Unit A1 - A2
Southcity Business Centre
Whitestown Way
Tallaght
Dublin D24 HT95
Ireland