



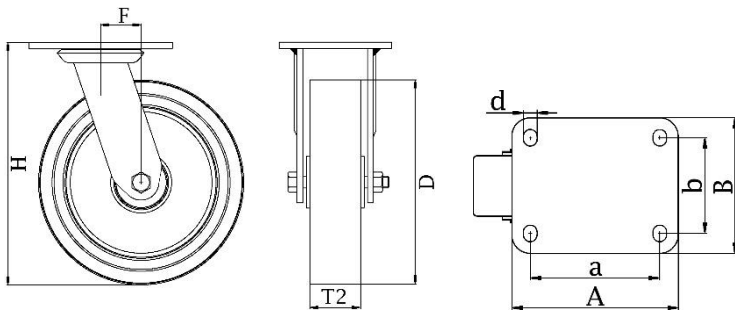
*"Experts in Specialist
Wheels & Tyres"*

PRODUCT INFORMATION

500 Series Top Plate Castor

Material: Zinc plated swivel bracket with top plate fitting. Grey cast iron wheel.

Part number:	350901
Wheel diameter (D):	150mm
Tread width (T2):	45mm
Wheel bearing:	Roller bearing
Top plate size (AxB):	140x110mm
Fixing hole spacing (axb):	105x80mm
Fixing hole size (d):	11mm
Offset (F):	36mm
Overall height (H):	190mm
Load capacity 3km/h:	500kg
Rolling resistance:	Excellent
Operating noise:	Sufficient
Floor preservation:	Sufficient



Telephone: (353) 1 452 0482
Email: info@parnell.eu

www.parnells.eu

Unit A1 - A2
Southcity Business Centre
Whitestown Way
Tallaght
Dublin D24 HT95
Ireland