



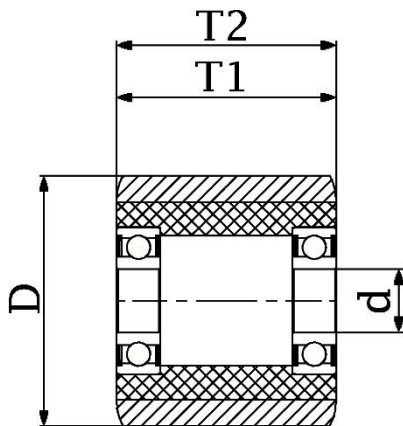
*"Experts in Specialist  
Wheels & Tyres"*

## PRODUCT INFORMATION

# Polyurethane Roller

**Material:** Red polyurethane tread on cast iron centre.

<b>Part number:</b>	RO2090
<b>Wheel diameter (D):</b>	80mm
<b>Tread width (T2):</b>	90mm
<b>Tread hardness:</b>	93° Shore A
<b>Wheel bearing:</b>	Ball bearings
<b>Wheel bore (d):</b>	20mm
<b>Hub length (T1):</b>	90mm
<b>Load capacity 3km/h:</b>	380kg
<b>Rolling resistance:</b>	Very good
<b>Operating noise:</b>	Good
<b>Floor preservation:</b>	Good



Telephone: (353) 1 452 0482  
Email: [info@parnell.eu](mailto:info@parnell.eu)

[www.parnells.eu](http://www.parnells.eu)

Unit A1 - A2  
Southcity Business Centre  
Whitestown Way  
Tallaght  
Dublin D24 HT95  
Ireland