



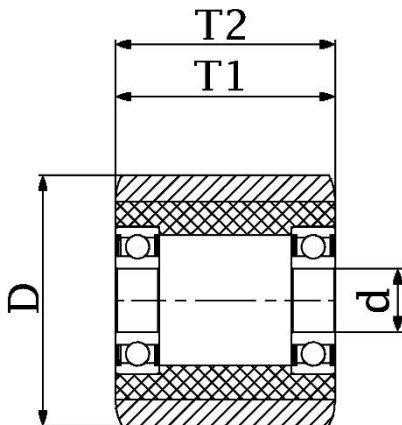
*"Experts in Specialist
Wheels & Tyres"*

PRODUCT INFORMATION

Polyurethane Roller

Material: Red polyurethane tread on cast iron centre.

Part number:	RO2100
Wheel diameter (D):	80mm
Tread width (T2):	100mm
Tread hardness:	93° Shore A
Wheel bearing:	Ball bearings
Wheel bore (d):	20mm
Hub length (T1):	100mm
Load capacity 3km/h:	500kg
Rolling resistance:	Very good
Operating noise:	Good
Floor preservation:	Good



Telephone: (353) 1 452 0482
Email: info@parnell.eu

www.parnells.eu

Unit A1 - A2
Southcity Business Centre
Whitestown Way
Tallaght
Dublin D24 HT95
Ireland