



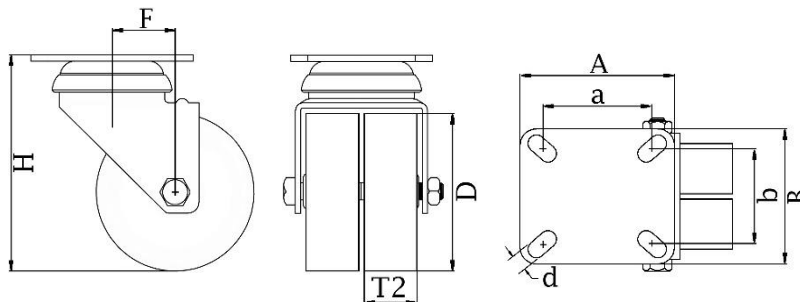
*"Experts in Specialist
Wheels & Tyres"*

PRODUCT INFORMATION

100 Series Top Plate Castor

Material: Zinc plated swivel bracket with top plate fitting. Wheels with grey thermoplastic rubber tread on polypropylene centre.

Part number:	762313
Wheel diameter (D):	50mm
Tread width (T2):	18mm
Tread hardness:	85° Shore A
Wheel bearing:	Plain bearing
Top plate size (AxB):	60x60mm
Fixing hole spacing (axb):	43x43mm
Fixing hole size (d):	6mm
Offset (F):	32mm
Overall height (H):	71mm
Load capacity 3km/h:	70kg
Rolling resistance:	Very good
Operating noise:	Good
Floor preservation:	Good



Telephone: (353) 1 452 0482
Email: info@parnell.eu

www.parnells.eu

Unit A1 - A2
Southcity Business Centre
Whitestown Way
Tallaght
Dublin D24 HT95
Ireland