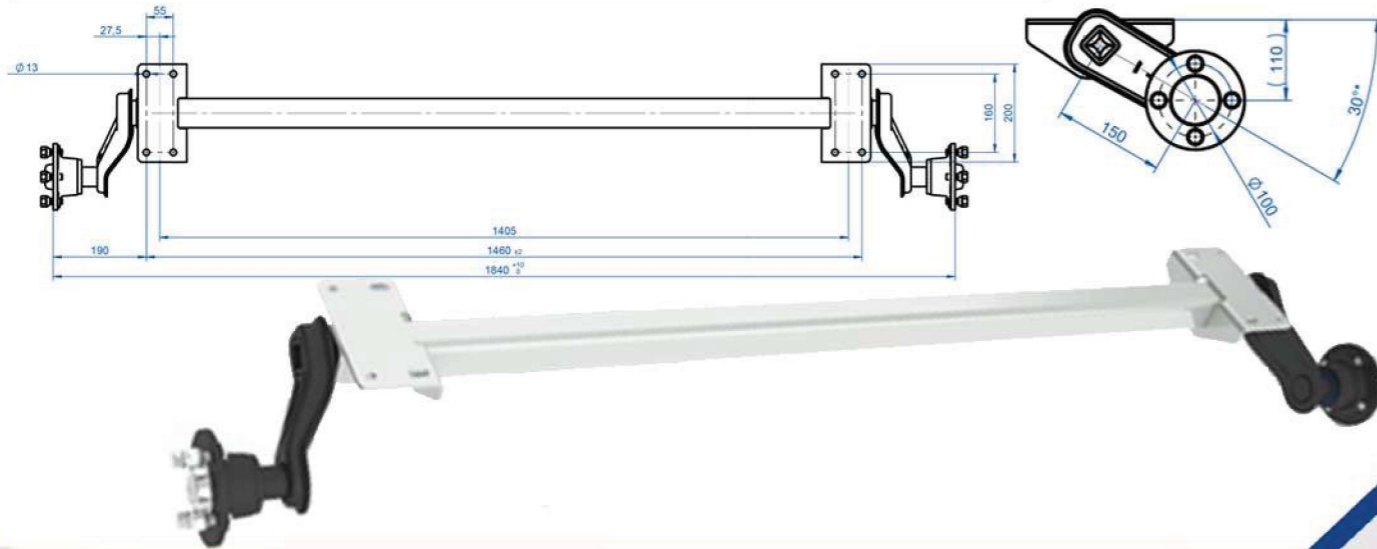




Suspension beam axle

*U-Bolts can be supplied for fixing

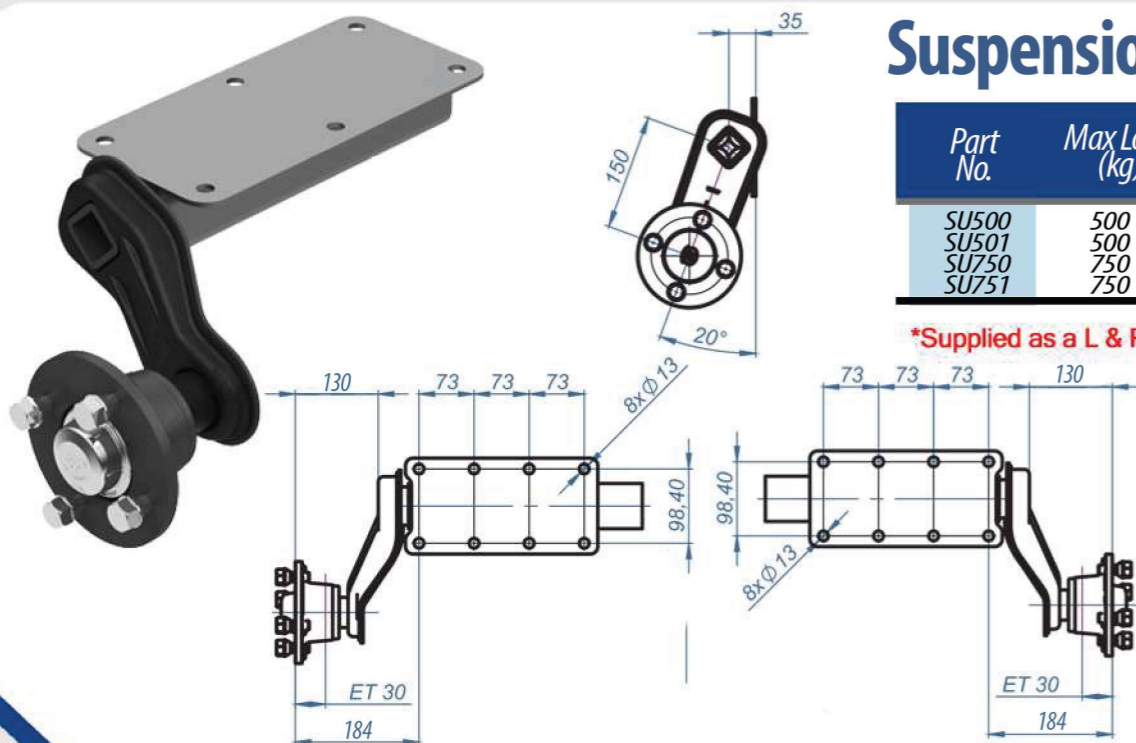
Part No.	Max Load (kg)	HUB	A (mm)	B (mm)	C (mm)	D (mm)
SB23	750kg	4x100	1145	190	1200	1580
SB24	750kg	4x100	1405	190	1460	1840
SB25	1000kg	4x100	1405	190	1460	1840



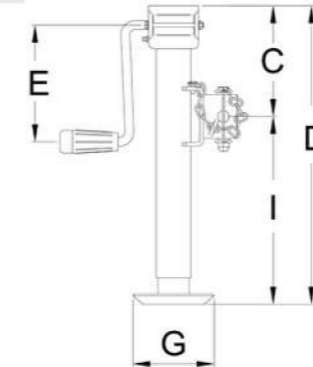
Suspension unit

Part No.	Max Load (kg)	HUB
SU500	500	4x100
SU501	500	4x4"
SU750	750	4x100
SU751	750	4x4"

*Supplied as a L & R pair



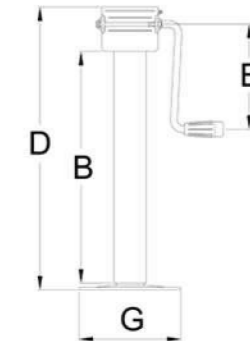
57mm Ø Side Wind Jack



Part No.	Outer Tube Diameter	Screw Stroke	Max Load (kg)	D (mm)	E (mm)	G (mm)	I (mm)
TR1015	57mm	250mm	1300kg	430	168	120x165	280

*Surface treatment: Zinc plated

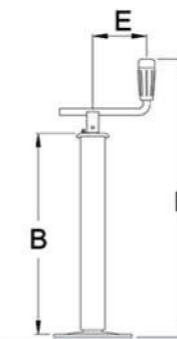
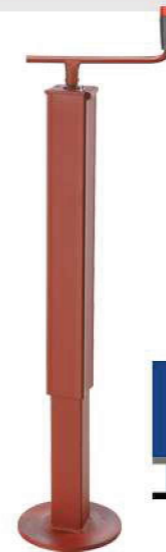
70x70mm Side Wind Jack



Part No.	Tube Size (mm)	Screw Stroke (mm)	Max Load	D (mm)	E (mm)	G (mm)	I (mm)
TR1020	70x70mm	300mm	3000kg	500	620	225	220

*Surface treatment: Red Anti-rust

70x70mm Top Wind Jack



Part No.	Tube Size (mm)	Screw Stroke (mm)	Max Load	D (mm)	E (mm)	G (mm)	I (mm)
TR1014	70x70mm	310mm	1000	500	670	185	160

*Surface treatment: Red Anti-rust