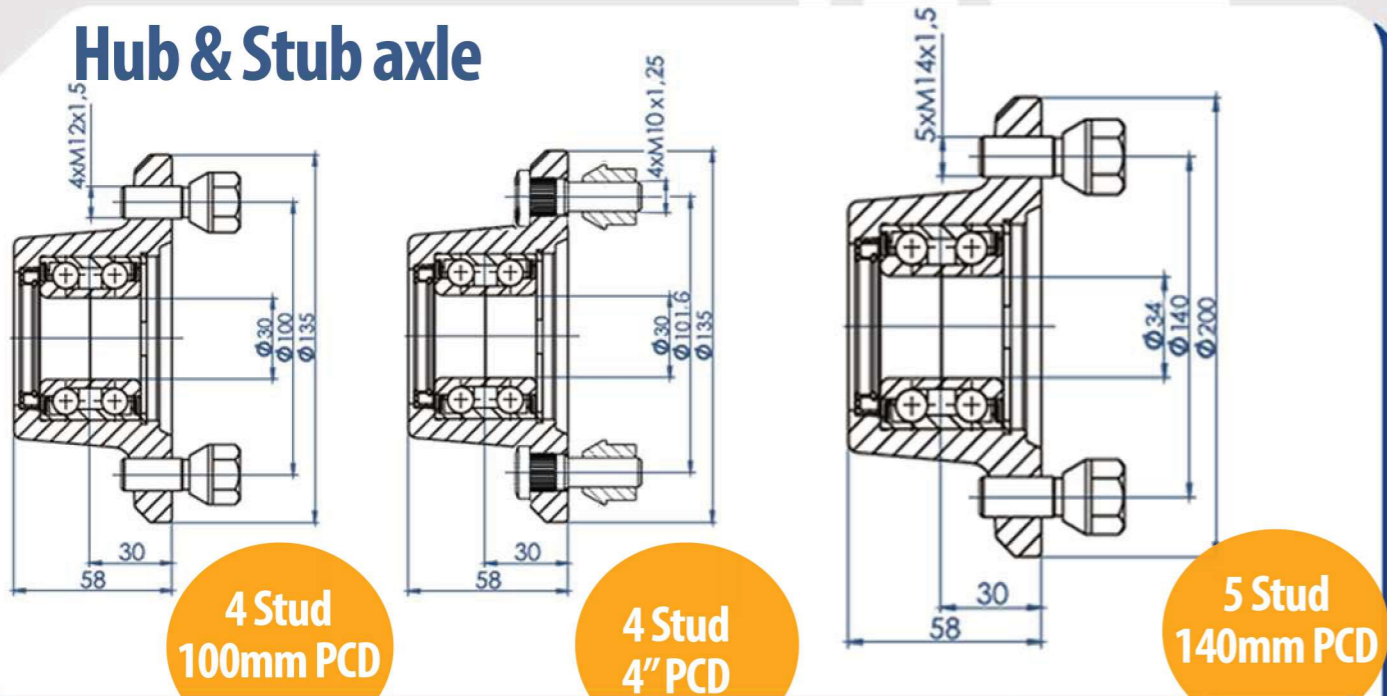


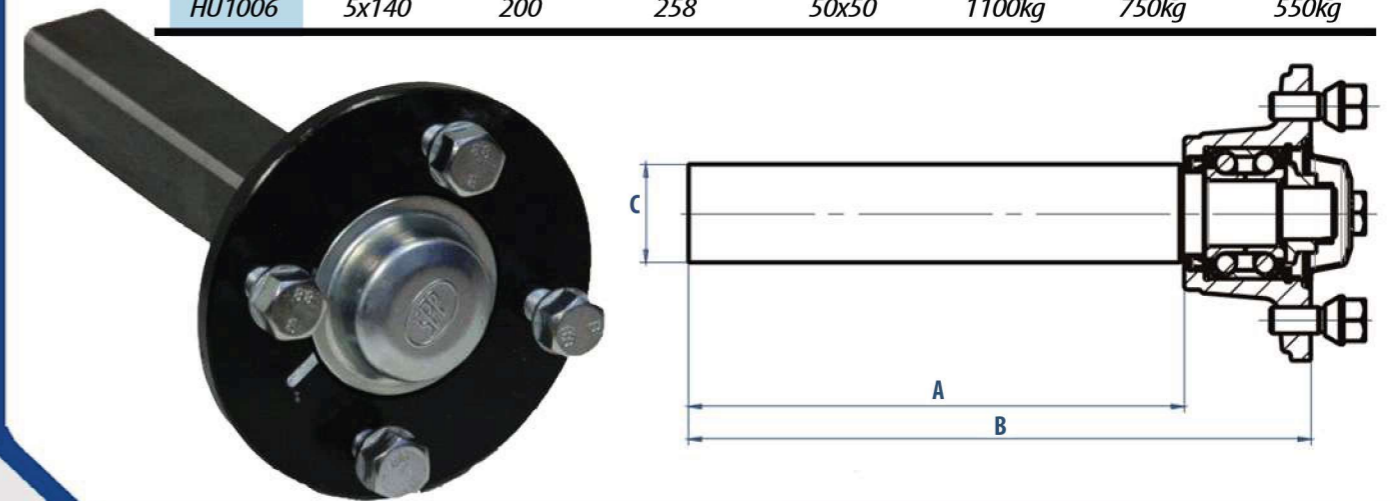
Hub & Stub axle



1	30mm stub on 4 stud hub & 34mm stub on 5 stud hub
2	high quality forged hub
3	double row angular compact ball bearing with additional lip seal
4	seger ring
5	nut with additional protection, torque 280 +/- 10 Nm
6	rubber sealing ring
7	dust cap

Hub & Stub axle

Part No.	HUB	A (mm)	B (mm)	C (mm)	Load capacity per Hub&stub		
					< 25km/h	25-90km/h	> 90km/h
HU1002	4x100	200	258	35x35	750kg	500kg	375kg
HU1003	4x4"	200	258	35x35	750kg	500kg	375kg
HU1004	4x100	126	184	40x40	750kg	500kg	375kg
HU1005	4x4"	126	184	40x40	750kg	500kg	375kg
HU1006	5x140	200	258	50x50	1100kg	750kg	550kg



Taper Roller Bearing Hub

Part No.	Description
44643	Front bearing
44643L	Rear bearing (with seal)
HU1014	Metal hub cap

Part No.	Description
HU1014	4x4" hub with grease nipple

*Supplied with bearings & cap

