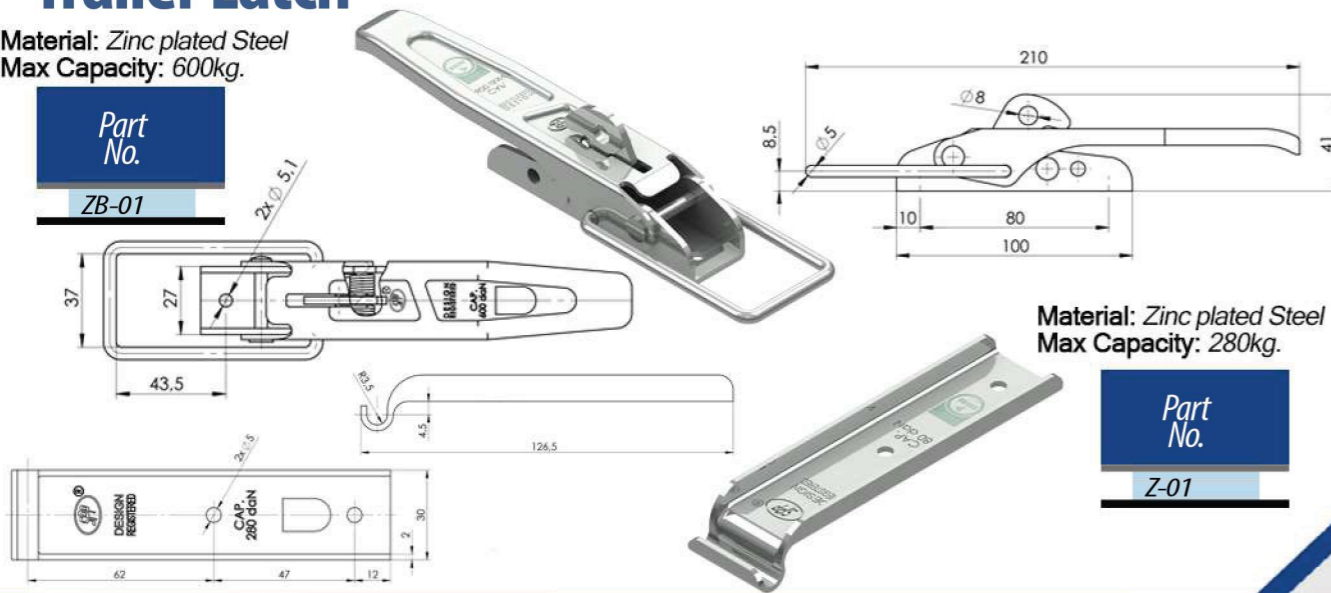


Trailer Latch

Material: Zinc plated Steel
Max Capacity: 600kg.

Part No.

ZB-01



Material: Zinc plated Steel
Max Capacity: 280kg.

Part No.

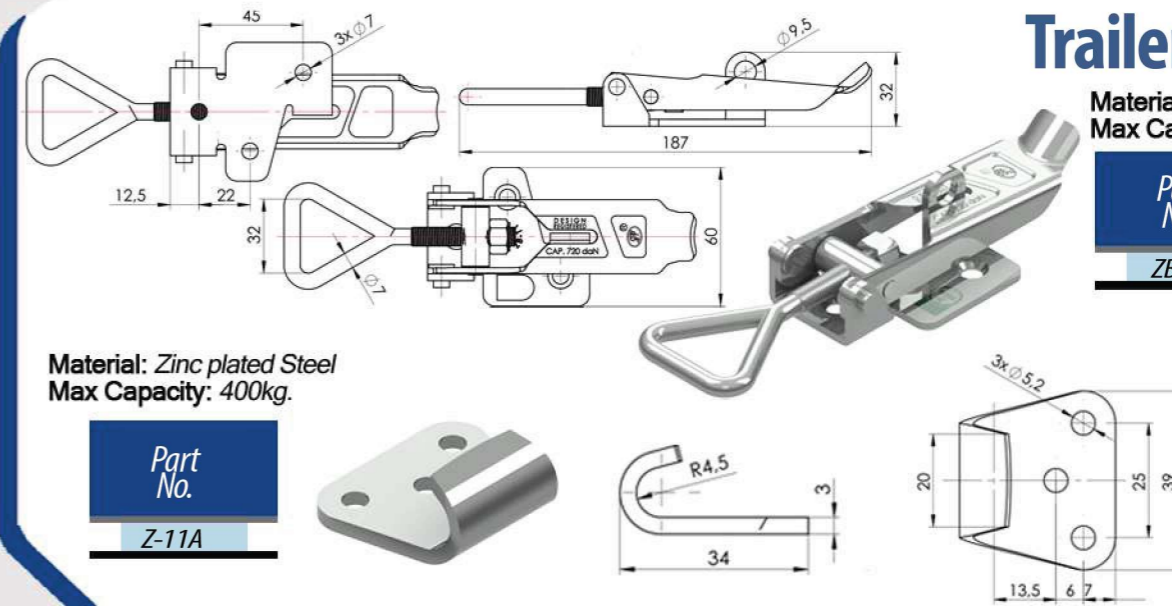
Z-01

Trailer Latch

Material: Zinc plated Steel
Max Capacity: 720kg.

Part No.

ZB-11



Material: Zinc plated Steel
Max Capacity: 400kg.

Part No.

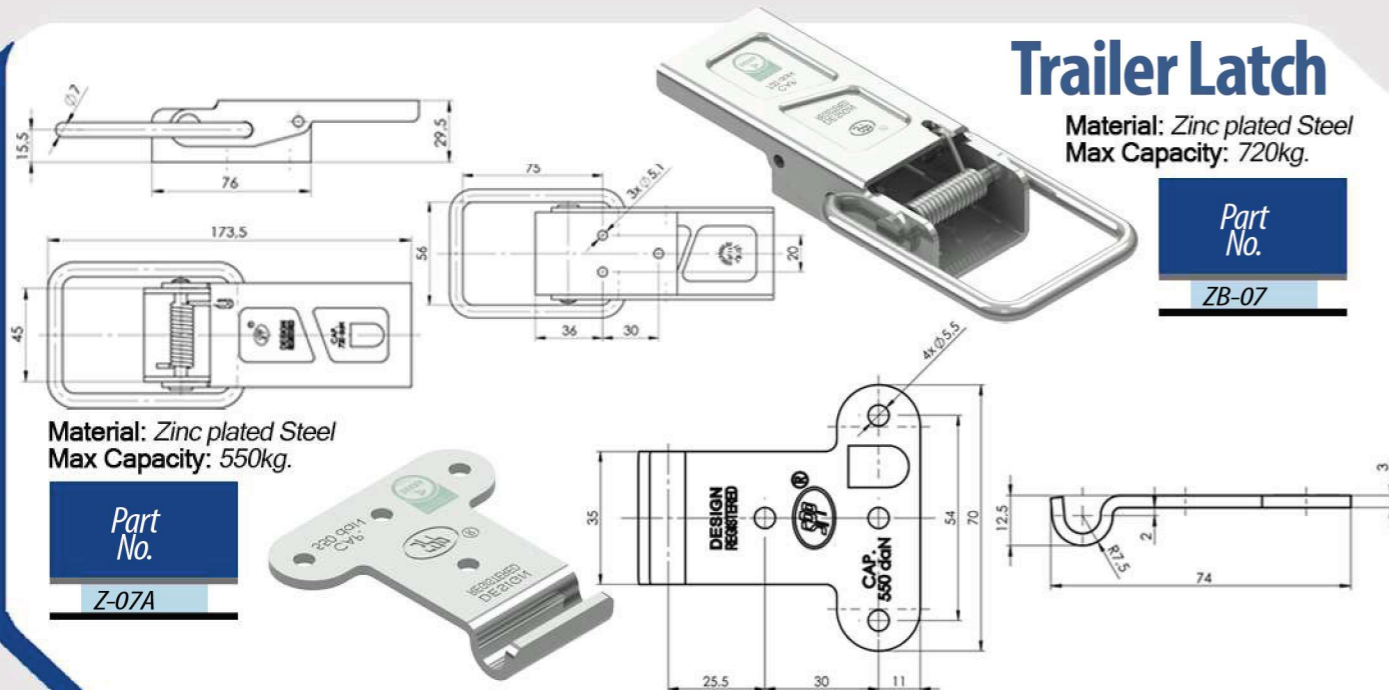
Z-11A

Trailer Latch

Material: Zinc plated Steel
Max Capacity: 720kg.

Part No.

ZB-07



Material: Zinc plated Steel
Max Capacity: 550kg.

Part No.

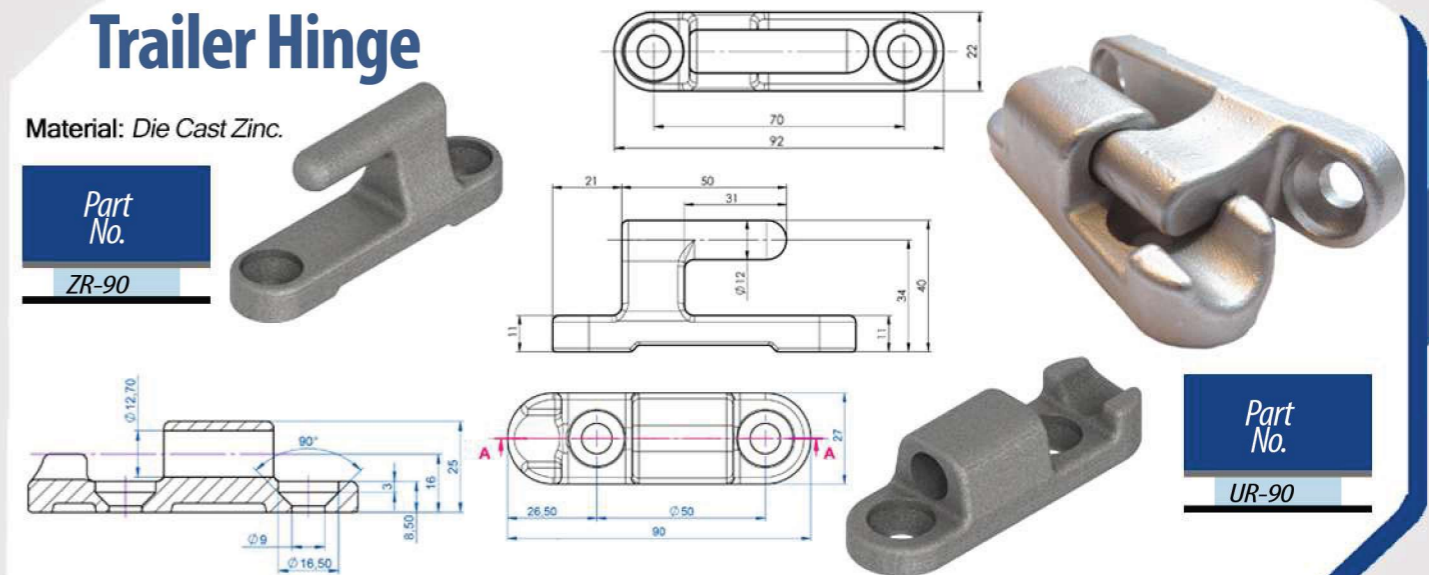
Z-07A

Trailer Hinge

Material: Die Cast Zinc.

Part No.

ZR-90



Part No.

UR-90