



# Trailer Spare Parts

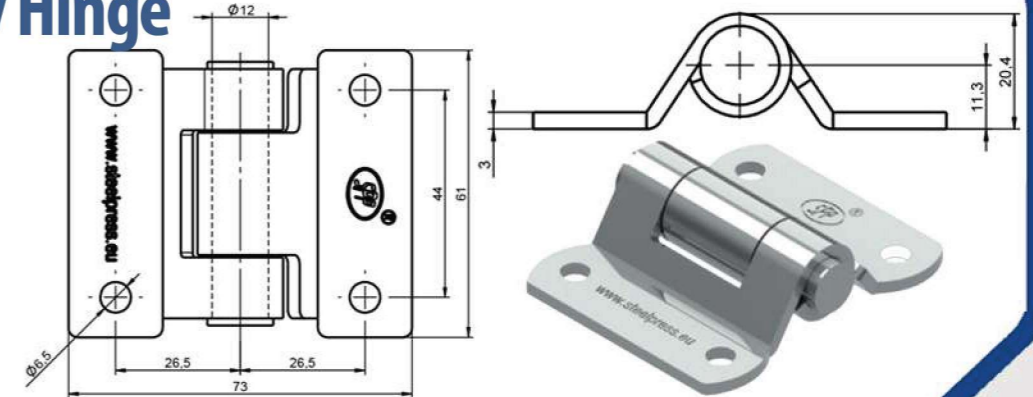


## Heavy Duty Hinge

Material: Zinc plated steel.

Part No.

ZW-02.40

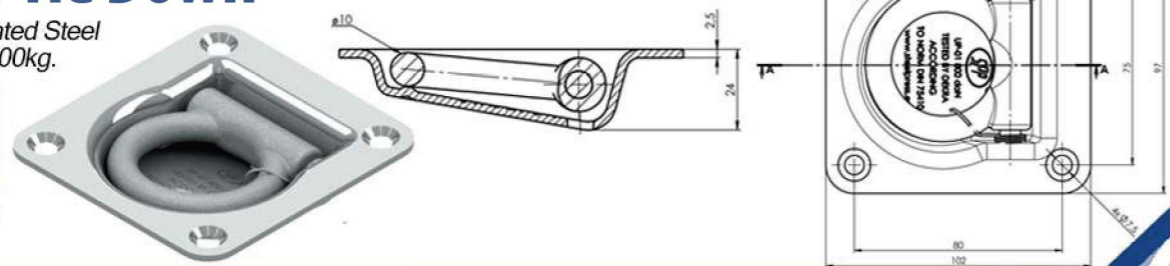


## Floor Tie Down

Material: Zinc plated Steel  
Max Capacity: 800kg.

Part No.

UP-01



## Heavy Duty Hinge (releasable pin)

Material: Zinc plated steel.

Part No.

ZW-03.40

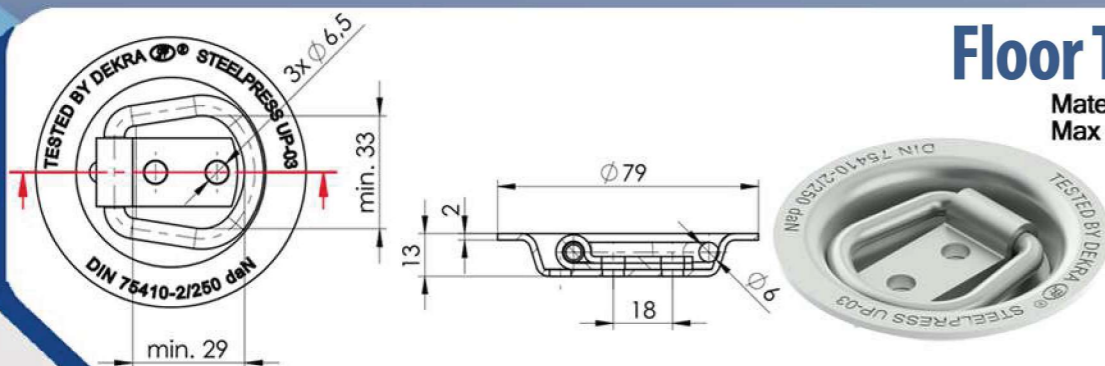


## Floor Tie Down

Material: Zinc plated Steel  
Max Capacity: 250kg

Part No.

UP-03



## Heavy Duty Door hinge

Material: Zinc plated steel.

Part No.

ZW-02.106

