



"Experts in Specialist  
Wheels & Tyres"

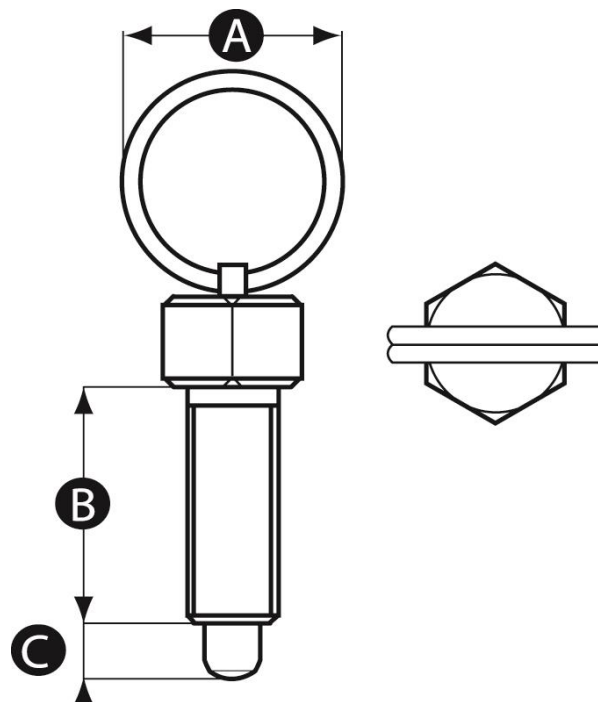
## PRODUCT INFORMATION

# Spring Loaded Ring Pull Plunger

**Material:** Zinc plated housing with stainless steel pin.

**Includes:** Comes as standard with lift ring and locking nut.

Part number:	11829V
A (mm)	24
B (mm)	20
C (mm)	6
Thread Size	M10
Plunger Diameter (mm)	6



Telephone: (353) 1 452 0482  
Email: [info@parnell.com](mailto:info@parnell.com)

[www.parnells.eu](http://www.parnells.eu)

Unit A1 - A4  
Southcity Business Centre  
Whitestown Way  
Tallaght  
Dublin D24 HT95  
Ireland