



"Experts in Specialist
Wheels & Tyres"

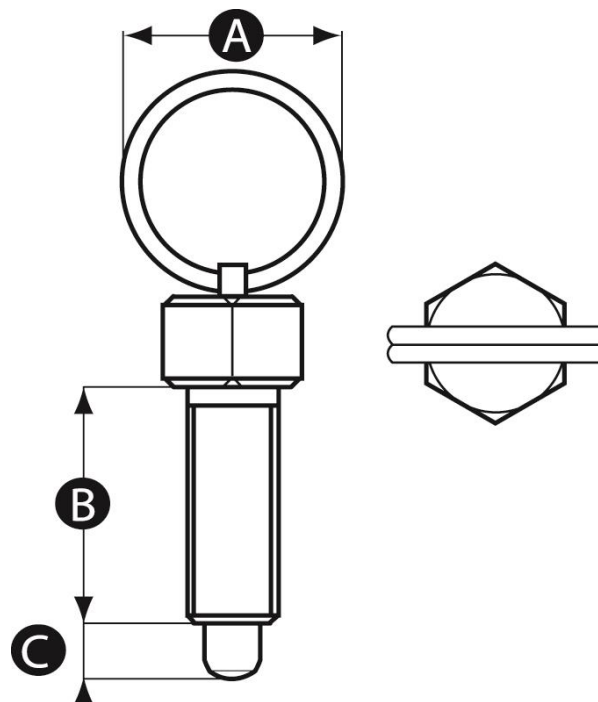
PRODUCT INFORMATION

Spring Loaded Ring Pull Plunger

Material: Zinc plated housing with stainless steel pin.

Includes: Comes as standard with lift ring and locking nut.

Part number:	11830R
A (mm)	30
B (mm)	24
C (mm)	8
Thread Size	M12
Plunger Diameter (mm)	8



Telephone: (353) 1 452 0482
Email: info@parnell.com

www.parnells.eu

Unit A1 - A4
Southcity Business Centre
Whitestown Way
Tallaght
Dublin D24 HT95
Ireland