



*"Experts in Specialist
Wheels & Tyres"*

PRODUCT INFORMATION

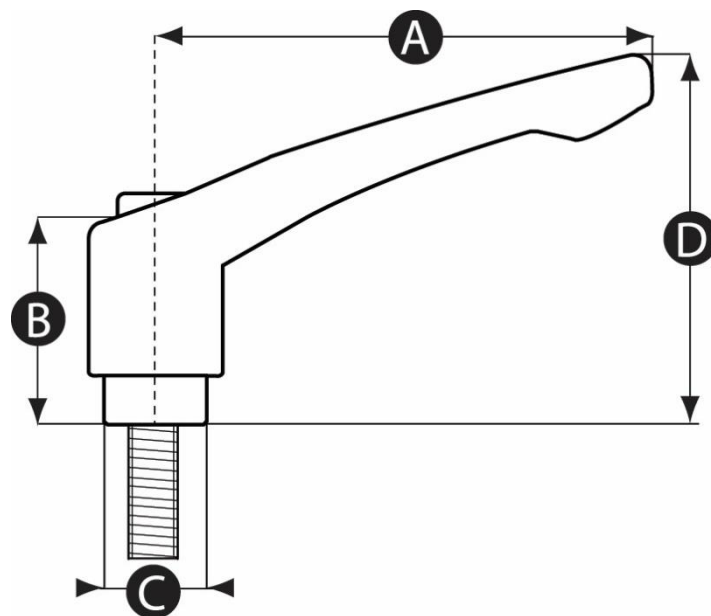
Male Die Cast Zinc Indexed Clamping Handle

Handle material: Die cast zinc

Insert material: Blackened steel boss and ratchet with allen key.

Male thread: Steel

Part number:	12085U
A (mm)	42
B (mm)	25
C (mm)	10
D (mm)	37
Thread Size	M6
Thread Length (mm)	32
Insert Material	Blackened Steel



Telephone: (353) 1 452 0482
Email: info@parnell.eu

www.parnells.eu

Unit A1 - A4
Southcity Business Centre
Whitestown Way
Tallaght
Dublin D24 HT95
Ireland