



*"Experts in Specialist  
Wheels & Tyres"*

## PRODUCT INFORMATION

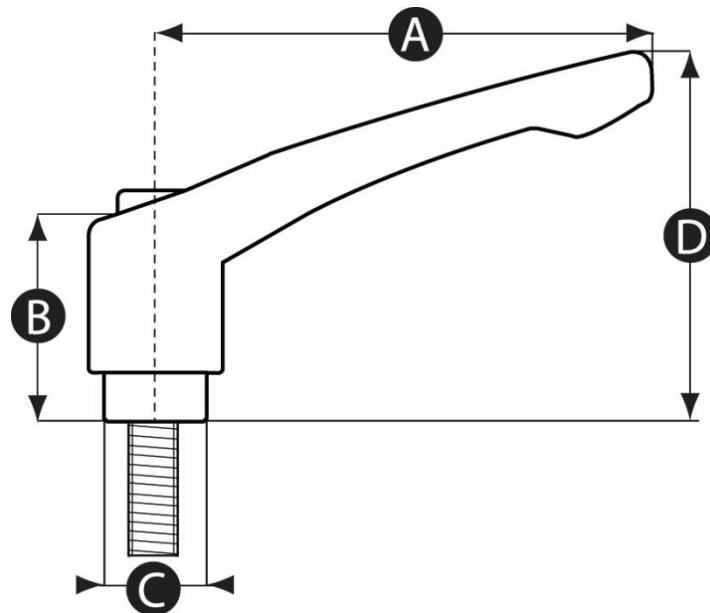
# Male Die Cast Zinc Indexed Clamping Handle

**Handle material:** Die cast zinc

**Insert material:** Blackened steel boss and ratchet with allen key.

**Male thread:** Steel

Part number:	12132T
A (mm)	78
B (mm)	36
C (mm)	16
D (mm)	57
Thread Size	M10
Thread Length (mm)	50
Insert Material	Blackened Steel



Telephone: (353) 1 452 0482  
Email: [info@parnell.com](mailto:info@parnell.com)

[www.parnells.eu](http://www.parnells.eu)

Unit A1 - A4  
Southcity Business Centre  
Whitestown Way  
Tallaght  
Dublin D24 HT95  
Ireland