



"Experts in Specialist
Wheels & Tyres"

PRODUCT INFORMATION

Male Lobe Knob – Zinc Thread

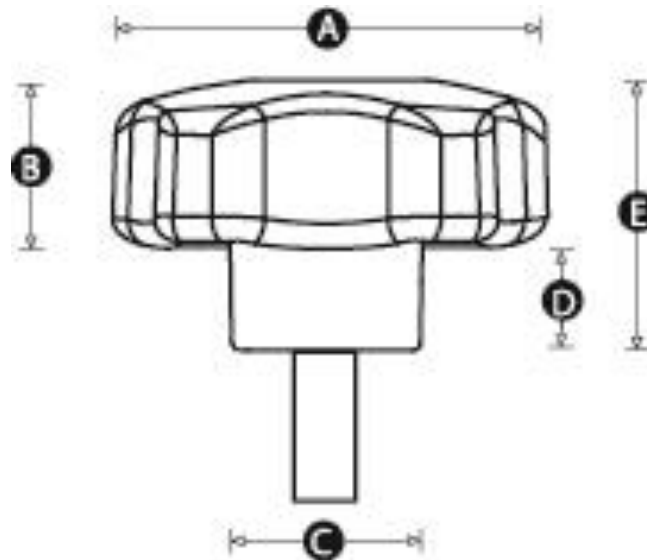
Material: High impact resistant thermoplastic

Standard colour: Black

Finish: Matt

Female Thread: Zinc plated steel

| | |
|---------------------------|-------------------|
| Part number: | 14296Y |
| A (mm) | 40 |
| B (mm) | 17 |
| C (mm) | 18 |
| D (mm) | 12 |
| E (mm) | 29 |
| Thread Size | M8 |
| Thread Length (mm) | 30 |
| Insert Material | Zinc Plated Steel |



Telephone: (353) 1 452 0482
Email: info@parnell.eu

www.parnells.eu

Unit A1 - A4
Southcity Business Centre
Whitestown Way
Tallaght
Dublin D24 HT95
Ireland