



*"Experts in Specialist
Wheels & Tyres"*

PRODUCT INFORMATION

Female Lobe Knob – Zinc Thread

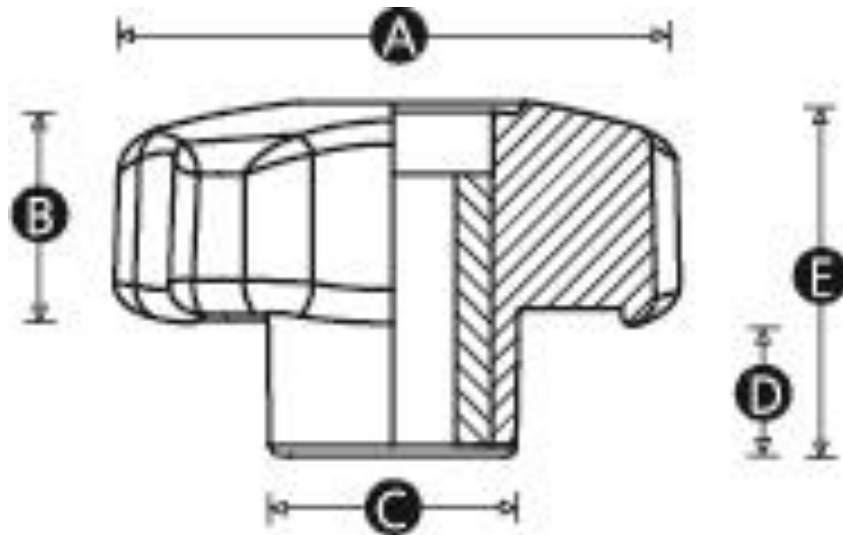
Material: High impact resistant thermoplastic

Standard colour: Black

Finish: Matt

Female Thread: Zinc plated steel

Part number:	14301P
A (mm)	40
B (mm)	17
C (mm)	18
D (mm)	12
E (mm)	29
Thread Size	M8
Insert Material	Zinc Plated Steel



Telephone: (353) 1 452 0482
Email: info@parnell.eu

www.parnells.eu

Unit A1 - A4
Southcity Business Centre
Whitestown Way
Tallaght
Dublin D24 HT95
Ireland