



"Experts in Specialist
Wheels & Tyres"

PRODUCT INFORMATION

Female Lobe Knob – Zinc Thread

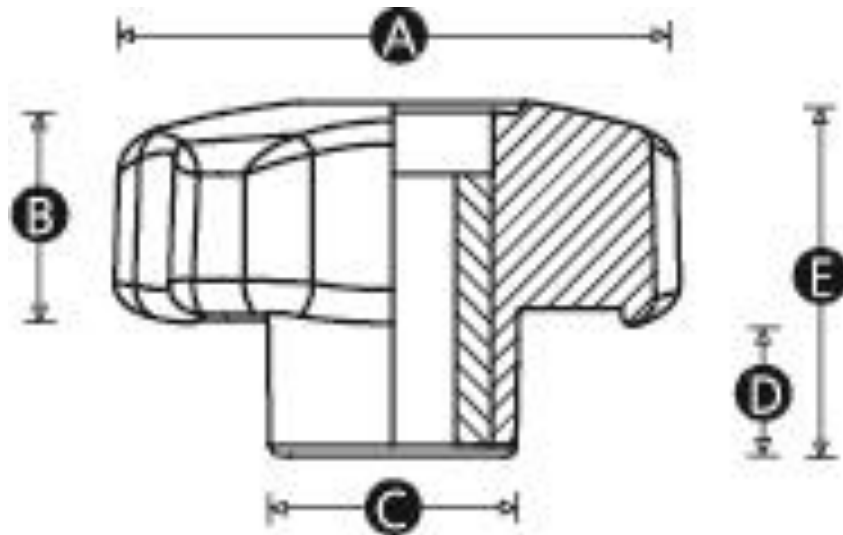
Material: High impact resistant thermoplastic

Standard colour: Black

Finish: Matt

Female Thread: Zinc plated steel

Part number:	14305V
A (mm)	60
B (mm)	21
C (mm)	21
D (mm)	13
E (mm)	34
Thread Size	M12
Insert Material	Zinc Plated Steel



Telephone: (353) 1 452 0482
Email: info@parnell.eu

www.parnells.eu

Unit A1 - A4
Southcity Business Centre
Whitestown Way
Tallaght
Dublin D24 HT95
Ireland