



"Experts in Specialist  
Wheels & Tyres"

## PRODUCT INFORMATION

# Through Thread Lobe Knob – Zinc Thread

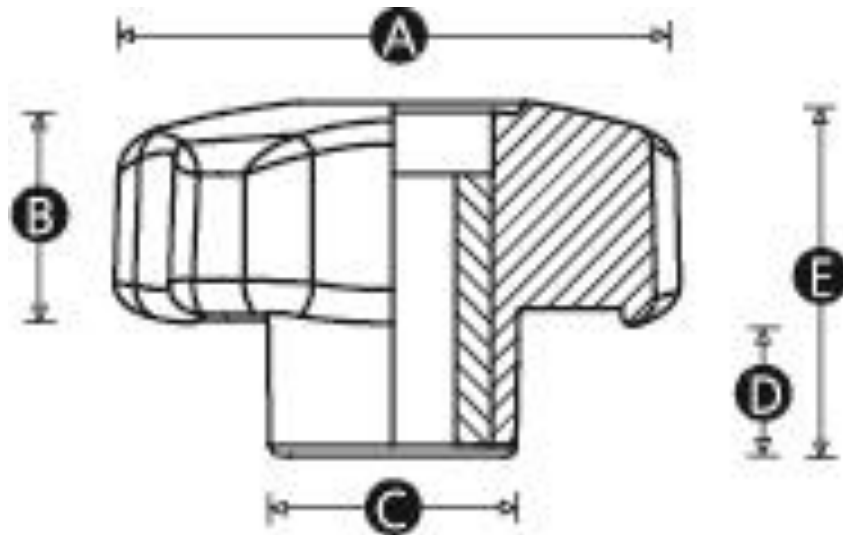
**Material:** High impact resistant thermoplastic

**Standard colour:** Black

**Finish:** Matt

**Female Thread:** Zinc plated steel

Part number:	14306R
A (mm)	28
B (mm)	16
C (mm)	14
D (mm)	9
E (mm)	25
Thread Size	M6
Insert Material	Zinc Plated Steel



Telephone: (353) 1 452 0482  
Email: [info@parnell.eu](mailto:info@parnell.eu)

[www.parnells.eu](http://www.parnells.eu)

Unit A1 - A4  
Southcity Business Centre  
Whitestown Way  
Tallaght  
Dublin D24 HT95  
Ireland