



"Experts in Specialist  
Wheels & Tyres"

## PRODUCT INFORMATION

# Male Lobe Knob – Zinc Thread

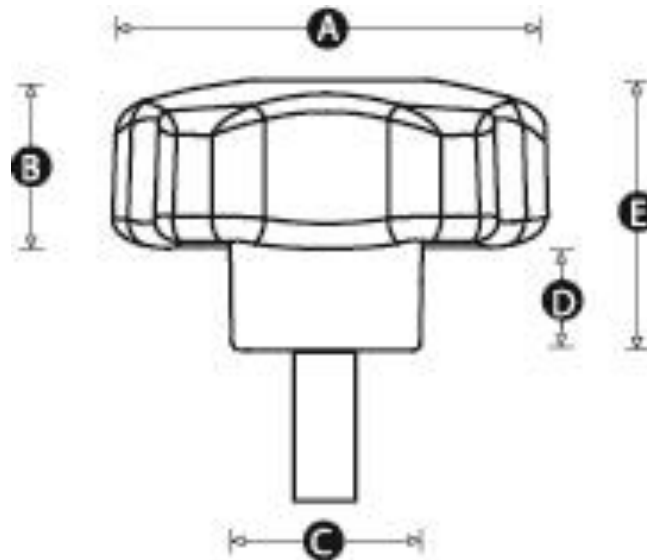
**Material:** High impact resistant thermoplastic

**Standard colour:** Black

**Finish:** Matt

**Female Thread:** Zinc plated steel

<b>Part number:</b>	15958U
<b>A (mm)</b>	60
<b>B (mm)</b>	23
<b>C (mm)</b>	21
<b>D (mm)</b>	13
<b>E (mm)</b>	34
<b>Thread Size</b>	M10
<b>Thread Length (mm)</b>	50
<b>Insert Material</b>	Zinc Plated Steel



Telephone: (353) 1 452 0482  
Email: info@parnell.eu

[www.parnells.eu](http://www.parnells.eu)

Unit A1 - A4  
Southcity Business Centre  
Whitestown Way  
Tallaght  
Dublin D24 HT95  
Ireland