



"Experts in Specialist
Wheels & Tyres"

PRODUCT INFORMATION

Male Lobe Knob – Stainless Thread

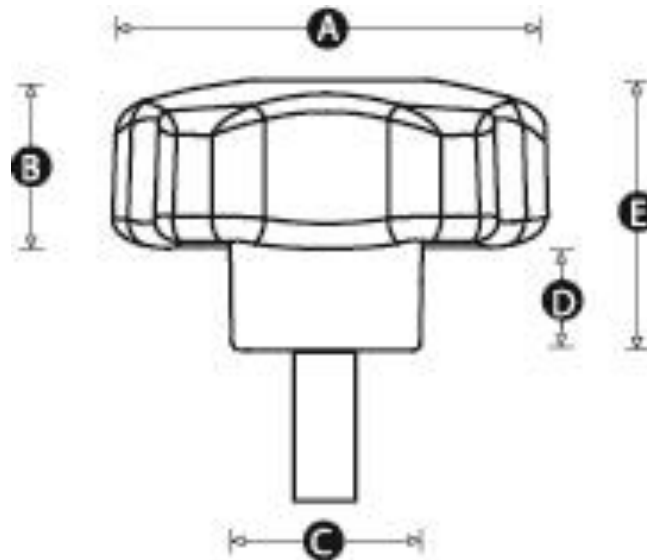
Material: High impact resistant thermoplastic

Standard colour: Black

Finish: Matt

Female Thread: Stainless steel

Part number:	15961T
A (mm)	60
B (mm)	23
C (mm)	21
D (mm)	13
E (mm)	34
Thread Size	M12
Thread Length (mm)	60
Insert Material	Stainless Steel



Telephone: (353) 1 452 0482
Email: info@parnell.eu

www.parnells.eu

Unit A1 - A4
Southcity Business Centre
Whitestown Way
Tallaght
Dublin D24 HT95
Ireland