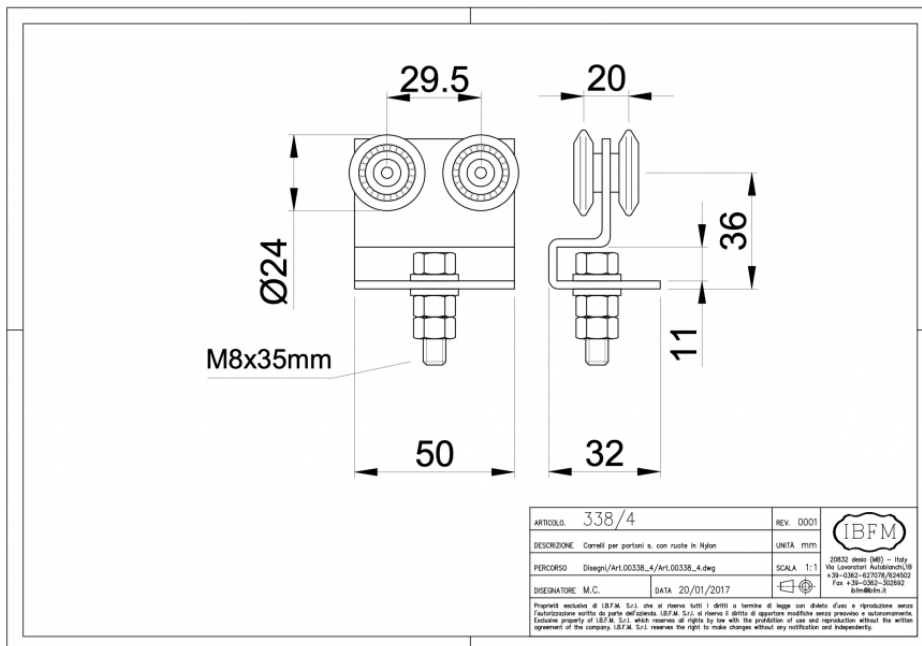


PRODUCT INFORMATION

Carriages for Overhead Track

Material: Zinc plated steel

Part number:	Carr5
Ø(mm)	24
Max. Load(Kg)	43
Used with	Track1



Unit A1 - A4
Southcity Business Centre
Whitestown Way
Tallaght
Dublin D24 HT95
Ireland

Telephone: (353) 1 452 0482
Email: info@parnell.eu

www.parnells.eu