



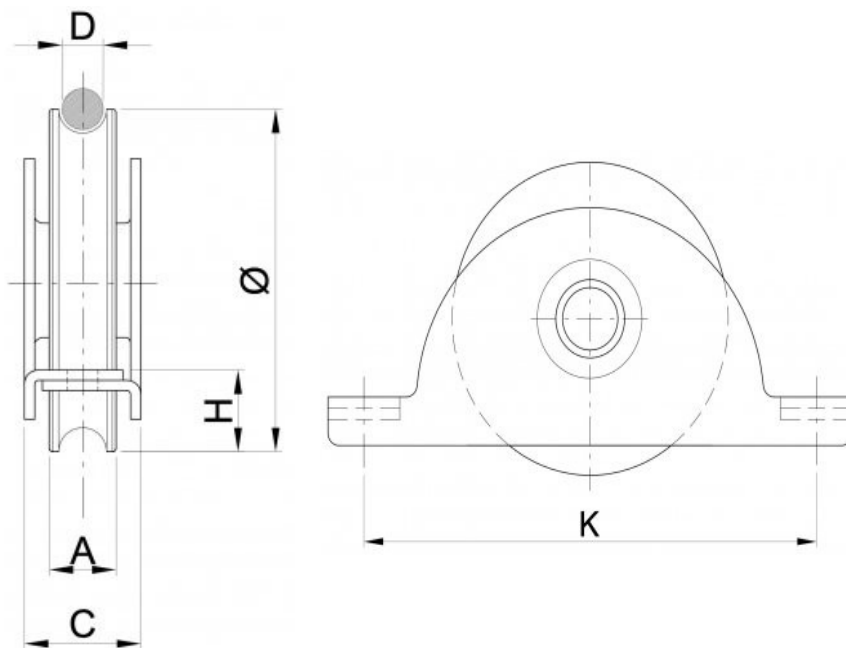
*"Experts in Specialist  
Wheels & Tyres"*

## PRODUCT INFORMATION

# R Groove Wheel in 2-Hole Bracket

**Material:** Zinc plated steel

<b>Part number:</b>	50-R-FX2
<b>Ø(mm)</b>	50
<b>A(mm)</b>	15
<b>C(mm)</b>	25
<b>H(mm)</b>	8.5
<b>D(mm)</b>	12
<b>K(mm)</b>	75
<b>Max Load(Kg)</b>	30kg



Telephone: (353) 1 452 0482  
Email: [info@parnell.eu](mailto:info@parnell.eu)

[www.parnells.eu](http://www.parnells.eu)

Unit A1 - A4  
Southcity Business Centre  
Whitestown Way  
Tallaght  
Dublin D24 HT95  
Ireland