



"Experts in Specialist
Wheels & Tyres"

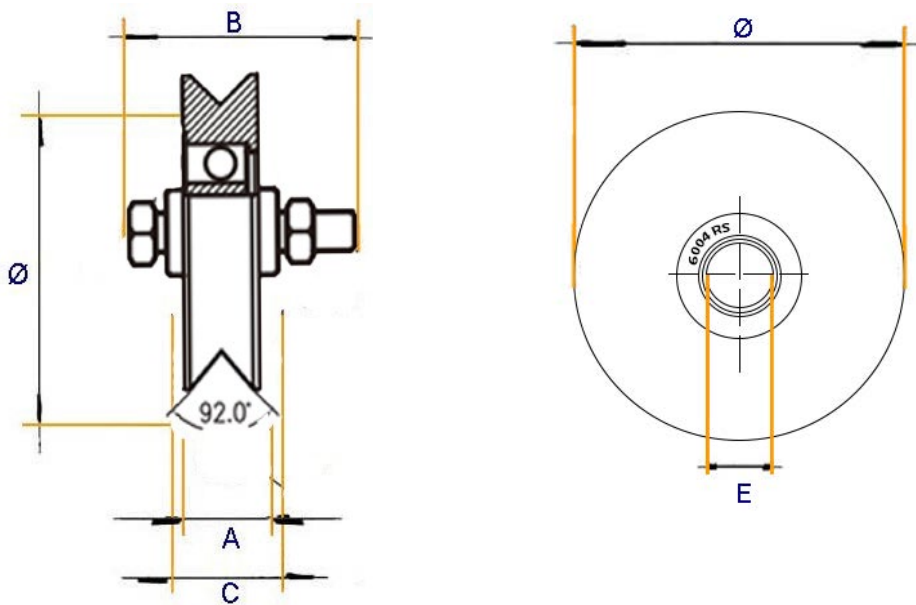
PRODUCT INFORMATION

V Groove Wheel with 2 Ball Bearing

Material: Zinc plated steel

Supplied with Bolt, Nut and T-Bushes

Part number:	120-V-2BB
Ø(mm)	118
A(mm)	30
B(mm)	14x70
C(mm)	44
E(mm)	17
Bearing Number	6004 RS
Max Load(Kg)	450kg



Telephone: (353) 1 452 0482
Email: info@parnell.eu

www.parnells.eu

Unit A1 - A4
Southcity Business Centre
Whitestown Way
Tallaght
Dublin D24 HT95
Ireland