



"Experts in Specialist  
Wheels & Tyres"

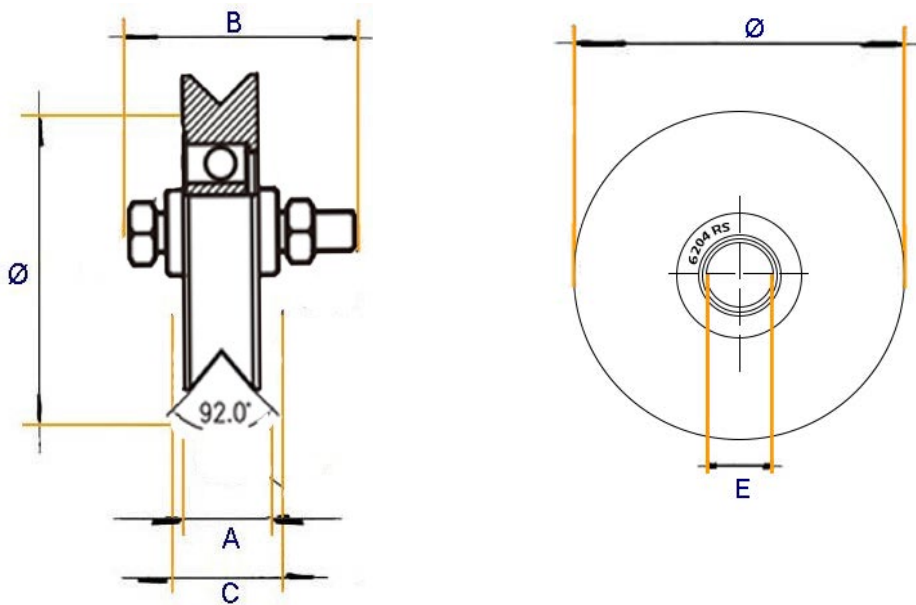
## PRODUCT INFORMATION

# V Groove Wheel with 2 Ball Bearing

**Material:** Zinc plated steel

*Supplied with Bolt, Nut and T-Bushes*

<b>Part number:</b>	200-V-2BB
<b>Ø(mm)</b>	200
<b>A(mm)</b>	32
<b>B(mm)</b>	16x70
<b>C(mm)</b>	44
<b>E(mm)</b>	20
<b>Bearing Number</b>	6204 RS
<b>Max Load(Kg)</b>	650kg



Telephone: (353) 1 452 0482  
Email: [info@parnell.eu](mailto:info@parnell.eu)

[www.parnells.eu](http://www.parnells.eu)

Unit A1 - A4  
Southcity Business Centre  
Whitestown Way  
Tallaght  
Dublin D24 HT95  
Ireland