



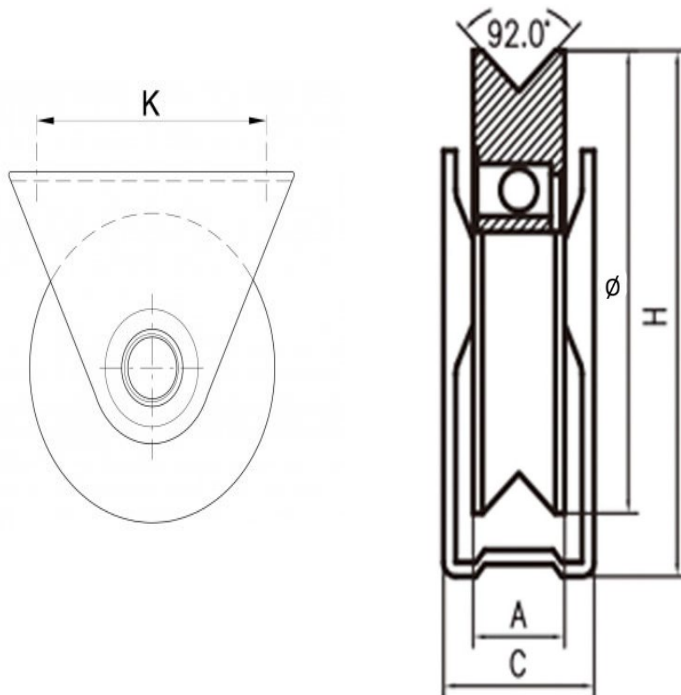
*"Experts in Specialist
Wheels & Tyres"*

PRODUCT INFORMATION

V Groove Wheel in Fixed Bracket

Material: Zinc plated steel

Part number:	80-V-FX
Ø(mm)	78
A(mm)	20
C(mm)	32.5
H(mm)	86
K(mm)	70
Max Load(Kg)	150kg



Telephone: (353) 1 452 0482
Email: info@parnell.eu

www.parnells.eu

Unit A1 - A4
Southcity Business Centre
Whitestown Way
Tallaght
Dublin D24 HT95
Ireland